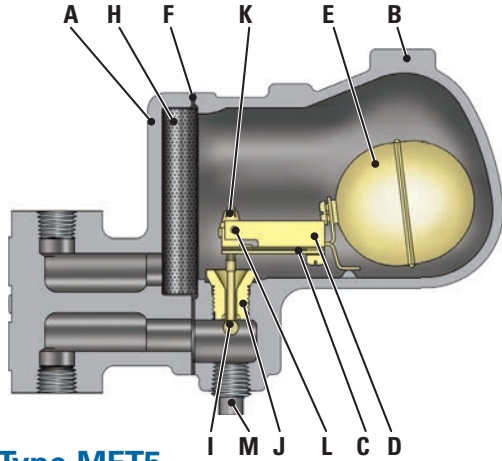


VELAN MONOVALVE FLOAT BIMETALLIC STEAM TRAPS



Type MFT5

STANDARD MATERIALS

PART	MATERIALS	
A	Body	Cast iron Gr.250
B	Cover	Same as body material
C	Bimetal element	Truflex GB-14
D	Bimetal holder	Stainless steel
E	Float	Stainless steel
F	Cover gasket	Stainless steel with non-asbestos filler
G	Cover screw	High tensile steel Gr. S
H	Strainer	Stainless steel
I	Stem and ball	Stainless steel, ball 58Rc
J	Seat	SS hardfaced with CoCr alloy
K	Self lock adjusting nut	Stainless steel
L	Pivot plug	Stainless steel
M	Test plug 1/2" NPT	Steel
N	Strainer plug 1/2" NPT	Steel

NOTE: Part 'G' & 'N' are not shown for clarity

APPLICATIONS

Boiler headers, steam mains, branch lines, unit heaters, shell and tube heat exchangers, jacketed kettles, rotating dryers, flash tanks and steam separators.

CONNECTIONS

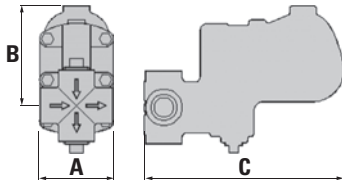
- Screwed

ENGINEERING DATA

PRESSURE RANGE psig/barg (1)	PMO psig/barg	MATERIAL	MAX TEMP °F/°C	ORIFICE in/mm	MAX CAPACITY lb/hr/kg/hr
0-15 0-1	15 1	Cast iron Gr.250	428 220	3/8 9.5	3,300 1,477
0-50 0-3.5	50 3.5			7/32 5.5	1,250 568
0-125 0-8.5	125 8.5			7/32 5.5	1,700 772

PMA = Maximum allowable pressure: 260psig@100°F (18bar@38°C)
 TMA = Maximum allowable temperature: 428°F (220°C)
 Maximum cold hydrostatic test pressure: 400psig (27.5bar)
 TMO = Maximum operating temperature = TMA
 PMO = Maximum operating pressure: (see Engineering data table)

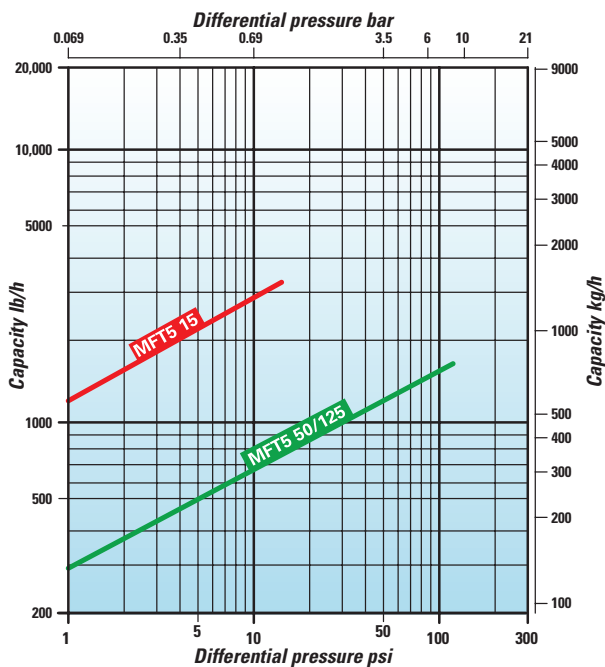
(1) Product will operate throughout entire pressure range, however selection closest to the Maximum operating pressure is recommended for maximum efficiency.



DIMENSIONS AND WEIGHTS

SIZE NPS/DN			A FACE TO FACE SCR	B CENTER TO TOP	C LENGTH	WEIGHT lb/kg SCR
1/2 15	3/4 20	1 25	3 11/16 94	5 1/4 133	9 1/4 235	12 5.5

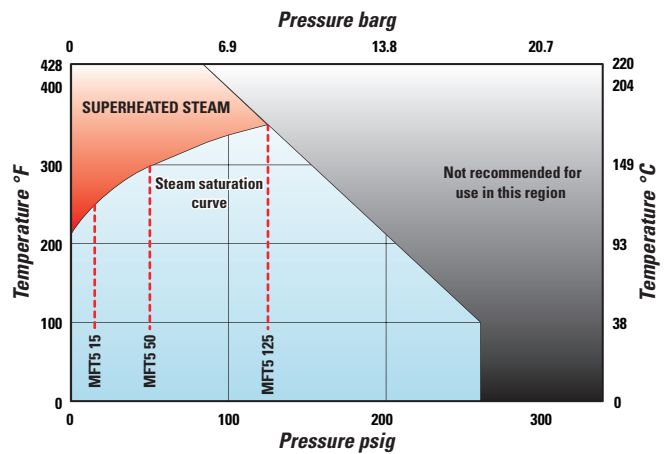
CONDENSATE CAPACITY



Maximum cold water capacity x 3.5

The performance graph indicates the continuous discharge capacities of condensate per hour at various pressure differentials across the trap.

PRESSURE / TEMPERATURE LIMITS



----- Pressure limit for trap type