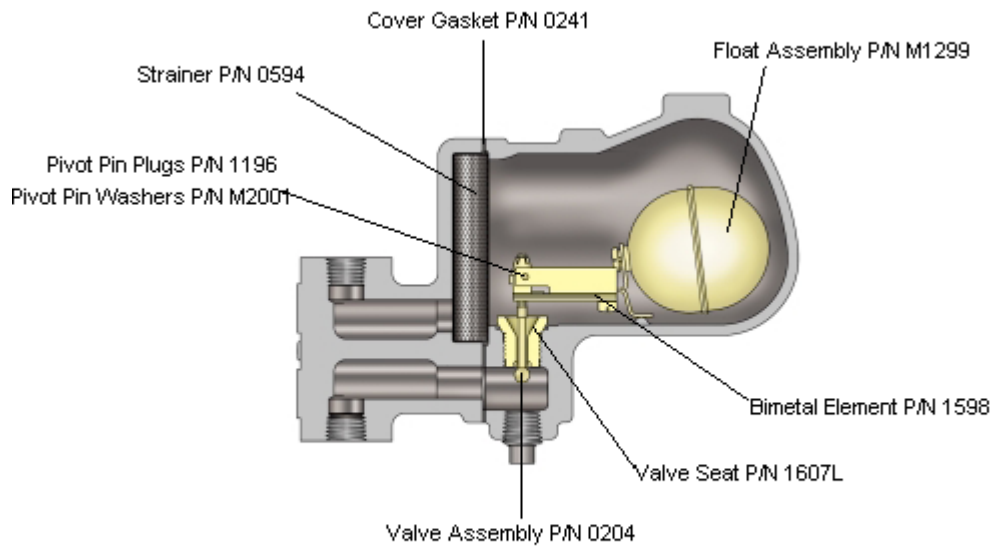




MFTS-300 Repair Kit

- (1) Bimetal Element Part Number 1597
- (1) Valve Assembly Part Number 0204
 - (1) Valve Seat Part Number 1607L
 - (1) Cover Gasket Part Number 0241
 - (1) Strainer Part Number 0594
- (1) Float Assembly Part Number M1299
- * (2) Pivot Pin Plug Part Number 1196
- * (2) Pivot Pin Washer Part Number M2001

*Optional Parts



*Tools required for repair:
Stem Key Part Number L99001

Velan recommends setting trap with digital calibrator, please call the number listed below if you require assistance